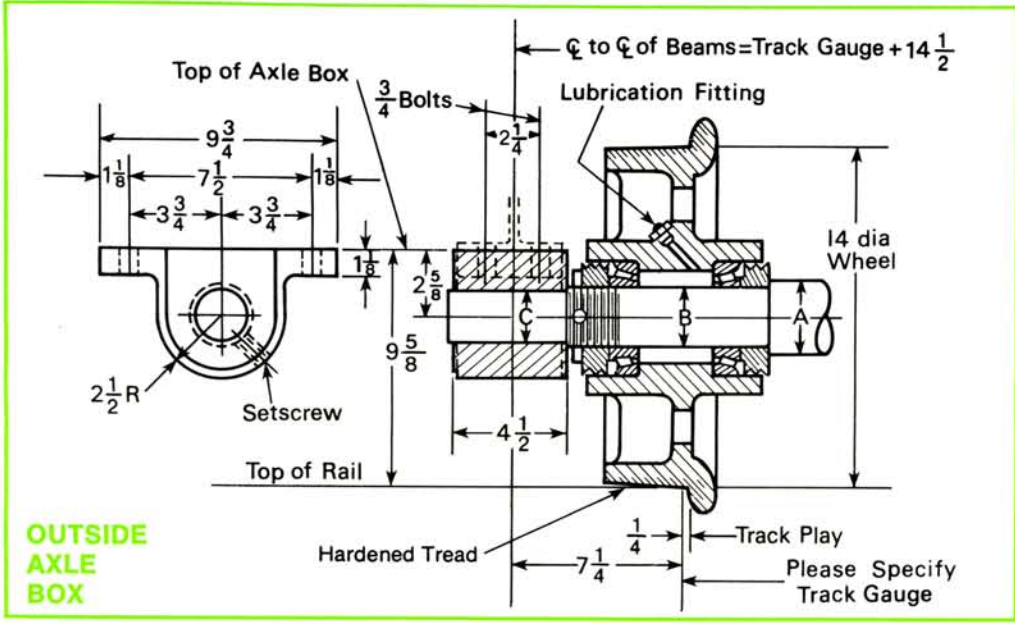




THRU AXLE WHEEL ASSEMBLY



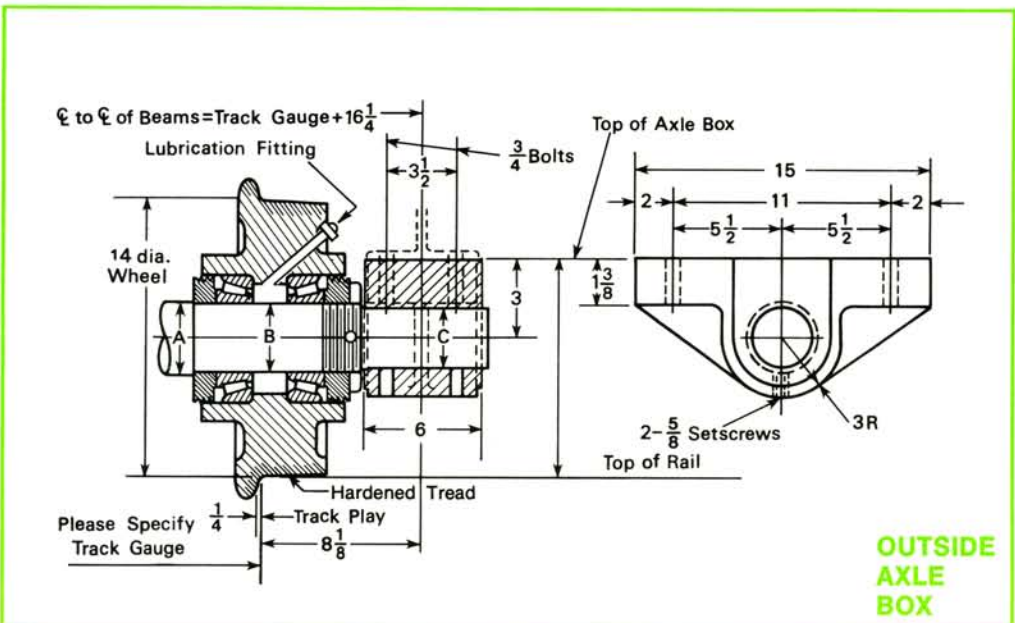
OUTSIDE AXLE BOX

- The 1 through 8 ton Outside Axle Box, Thru Axle Wheel Assembly includes the following:
- 2—Wheels with lube fittings
 - 2—Axle boxes, high-grade cast iron
 - 2—Wheel sets of tapered roller bearings, including nuts and dust collars
 - 1—Axle C1045 hot rolled steel. Models are available with steel wheels ranging from 10" through 24" diameters
- Please Specify Track Gauge

Model No. TA-103

CAPACITY	SHAFT DIA. A	SHAFT DIA. B	SHAFT DIA. C	APP. ASSEM WEIGHT
1 ton	1 5/8"	1 3/8"	1 1/4"	340 lbs.
3 ton	2 1/4"	2"	1 3/4"	375 lbs.
6 ton	2 3/4"	2 1/2"	2 1/4"	415 lbs.
8 ton	3"	2 3/4"	2 1/2"	445 lbs.

Ratings shown are for 56 1/2" track gauge or less.



OUTSIDE AXLE BOX

- The 10 and 15 ton Outside Axle Box, Thru Axle Wheel Assembly includes the following:
- 2—Wheels with lube fittings 10" thru 24" available
 - 2—Axle boxes, high-grade cast iron
 - 2—Wheel sets of tapered roller bearings including dust collars
 - 1—Axle C1045 hot rolled steel
- Load ratings are based on 50 RPM. RPM's greater than 50 are available.
 - Operating temperature 300°F. maximum.
 - Units are completely assembled, painted, lubricated and ready for installation.

Please Specify Track Gauge

Model No. TA-104

CAPACITY	SHAFT DIA. A	SHAFT DIA. B	SHAFT DIA. C	APP. ASSEM WEIGHT
10 ton	3 1/4"	3"	2 7/8"	605 lbs.
15 ton	3 3/4"	3 1/2"	3 1/4"	695 lbs.

Ratings shown are for 56 1/2" track gauge or less.